



Product Description

CLAMPCO Controls provides Pig Launchers & Receivers to oil, gas and liquid service and operator companies. CLAMPCO is capable of providing pig launchers & receivers for pipelines of any size and pressure ratings. CLAMPCO provides complete solutions for pipeline related jobs, such as cleaning, drying, testing and displacement. Easy to use launchers & receivers can be used on almost all kinds of applications. CLAMPCO PLR can be designed to accommodate scraper pig, sphere pigs, or smart pigs or any combination of all three. STANDARD CLAMPCO PIG LAUNCHER & RECEIVERS comes with the standard type pig signal/indicator, closure and nozzles.

Product Benefits

Easy to install & use

You do not need a special tool or experience to install

CLAMPCO pig launcher & receiver is made of corrosion resistant materials with long life duration

CLAMPCO offers spare parts for all of its products during maintenance

CLAMPCO closures comes with two different choices of seals that are resistant to high pressure and prevent leakages.

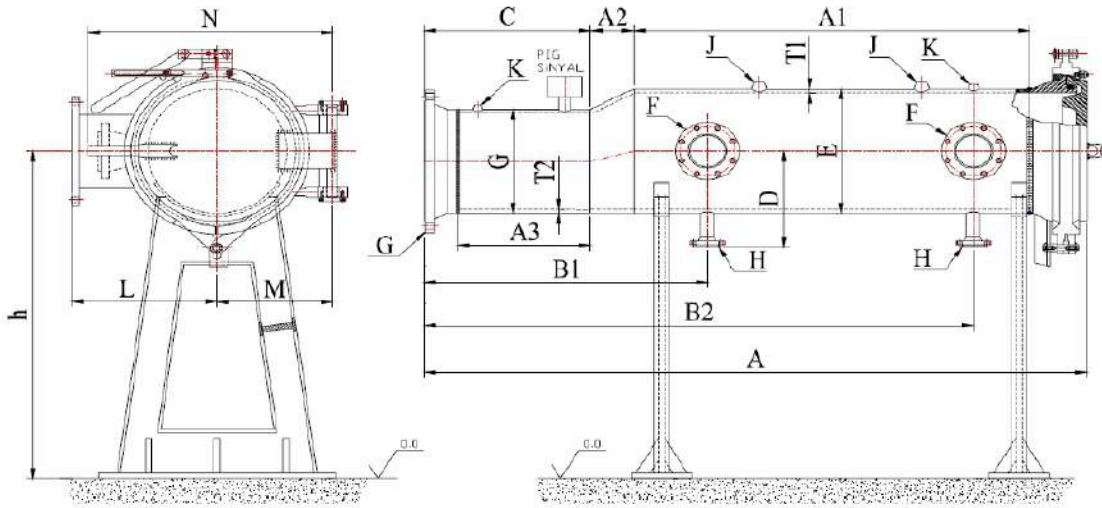
Key Features

- Designed to ASME B31.4, ASME B31.8 and ASME Section VIII Div. 1 Codes
- All pig receivers and launcher come with the appropriate CLAMPCO pig indicator.
- All pig receiver and launcher come with appropriate CLAMPCO closures.
- All pig receiver & launcher comes with the sand blasted and primer coated and color of your choices.
- All welds are 100% inspected and tested
- All pig receiver and launcher are hydrostatically tested.

Manufacturing Materials

Trunk	Flange	Closure	Pig Signal	Support	Seal
API 5L	ANSI B	P460NL1	Pig Signal	A516	PUR VITON
A105	16-5	A150	Assembly		
A181	A350-L2		(PTFE, API		
A182/A182 M-98			5L X52,		
(F1, F2, F5, F9, F11,			Bs970, SS,		
F12, F22, F304,			VITON,		
F304L, F316, F321,			INCONEL)		
F347, F348, F310)					
A350 (Lf1, Lf2, LF3)					

Dimension and Weights



Size (inch)	A	B1	B2	C	D	E	T2	F	G	T1	H	J	K	L	M	N
3	41-13/16	18-1/4	33-1/8	10-3/4	3-7/8	4-1/2	0,144	3/4"	3"	0,219	2" Threaded	1" NPT	1/2" NPT	5-13/16	N/A	N/A
4	44-1/4	19-7/8	33-9/16	10-3/4	4-7/8	6-5/8	0,176	1"	4"	0,281	2" Threaded	1" NPT	1/2" NPT	7-1/4	N/A	N/A
6	98-13/16	38-9/16	86-1/6	28-1/8	5-7/8	6-5/8	0,219	2"	6"	0,344	2" Threaded	1" NPT	1/2" NPT	9-1/8	N/A	N/A
8	115-3/4	43-1/8	97-3/8	31-11/16	7	10-3/4	0,281	2"	8"	0,344	2" Threaded	1" NPT	1/2" NPT	10-3/16	7-5/8	17-7/8
10	124	46-3/4	103-1/2	33-7/16	8	12-3/4	0,344	3"	10"	0,344	2" Threaded	1" NPT	1/2" NPT	11-13/16	8-9/16	19-11/16
12	131	55-3/16	114-3/8	34-5/8	9-5/8	16	0,344	4"	12"	0,394	2" Threaded	1" NPT	1/2" NPT	14-7/16	13-3/4	29-1/2
14	130-3/16	55-1/2	113-1/4	33-15/16	10-5/8	18	0,344	4"	14"	0,394	2" Threaded	1" NPT	1/2" NPT	15-7/16	14-7/8	31-5/8
16	104-1/16	50-1/8	86-7/8	23-9/16	11-5/8	20	0,394	4"	16"	0,5	2" Threaded	1" NPT	1/2" NPT	16-7/16	16	33-5/8
18	118-7/16	55-9/16	99-1/6	27-3/8	12-5/8	22	0,394	6"	18"	0,5	2" Threaded	1" NPT	1/2" NPT	19-1/8	17-1/8	35-7/8
20	114-5/16	48-13/16	94-11/16	28-5/8	18-7/16	24	0,5	6"	20"	0,562	4" Flanged	1" NPT	1/2" NPT	20-1/8	18-5/16	38-1/16
22	127-3/4	53-13/6	106-7/16	32-5/8	19-7/16	26	0,5	6"	22"	0,562	4" Flanged	2" NPT	1/2" NPT	21-1/8	19-15/16	41-1/16
24	135-1/16	57-5/16	112-3/16	33-7/8	21-3/4	28	0,562	8"	24"	0,562	4" Flanged	2" NPT	1/2" NPT	23-7/8	21-1/16	42-15/16
26	150	62-7/8	126-13/16	38-7/16	22-3/4	30	0,562	8"	26"	0,625	4" Flanged	2" NPT	1/2" NPT	24-7/8	22-1/4	45-3/8
28	162-5/8	65-1/8	131-1/4	39-11/16	23-3/4	32	0,562	8"	28"	0,625	4" Flanged	2" NPT	1/2" NPT	25-7/8	23-7/16	46-7/16
30	181-7/16	72-11/16	147-9/16	44-1/2	24-3/4	34	0,625	10"	30"	0,625	4" Flanged	2" NPT	1/2" NPT	27-11/16	24-5/8	48-5/8
32	186-7/8	74-15/16	162-3/16	45-3/4	25-3/4	36	0,625	10"	32"	0,625	4" Flanged	2" NPT	1/2" NPT	28-11/16	27-3/8	52-3/8
34	206-1/8	81-11/16	168-7/8	51-1/2	26-13/16	38	0,625	10"	34"	0,625	4" Flanged	2" NPT	1/2" NPT	30-1/4	29	56
36	213-13/16	85-1/16	174-3/4	52-7/8	27-13/16	40	0,625	12"	36"	0,625	4" Flanged	2" NPT	1/2" NPT	31-5/8	30-3/16	58-3/16
38	224-5/8	89-1/16	182-11/16	55-7/8	28-13/16	42	0,625	12"	38"	0,688	4" Flanged	2" NPT	1/2" NPT	32-5/8	31-5/16	60-5/16
40	235-3/16	93-1/16	194-1/2	58-7/8	29-13/16	44	0,625	12"	40"	0,688	4" Flanged	2" NPT	1/2" NPT	33-5/8	32-1/2	62-1/2
42	242	96-3/16	199-9/16	60-1/8	30-13/16	46	0,688	14"	42"	0,688	4" Flanged	2" NPT	1/2" NPT	35-3/16	33-11/16	64-11/16
44	257-13/16	101-15/16	214-5/8	64-7/8	31-13/16	48	0,688	14"	44"	0,75	4" Flanged	2" NPT	1/2" NPT	36-3/16	34-13/16	66-13/16